

2MP IR Bullet Network Camera

IPC2C22LR6-(P)F40(60)-E



Key Features



Optics

- Day/night functionality
- Smart IR, up to 60m (197ft) IR distance
- Optical glass window with higher light transmittance
- IR anti-reflection window to increase the infrared transmittance
- 2D/3D DNR (Digital Noise Reduction)

Compression

- Ultra 265, H.265, H.264
- ROI (Region of Interest)

Network

- ONVIF Conformance

Structure

- Wide temperature range: -30°C ~ 60°C (-22°F ~ 140°F)

Wide voltage range of $\pm 25\%$

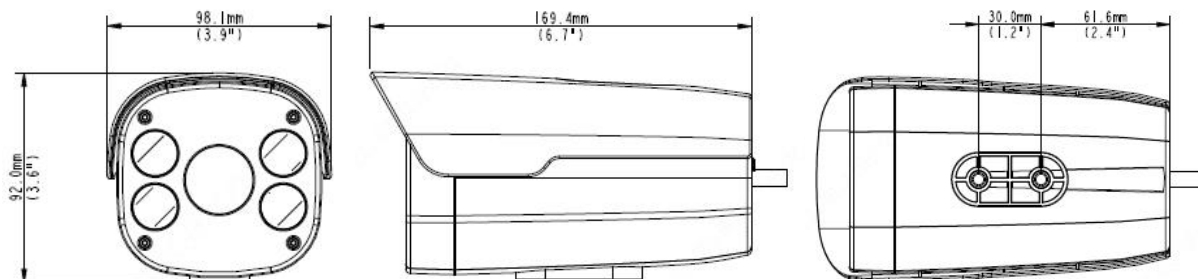
IP67

Specifications

| | IPC2C22LR6-F40-E | IPC2C22LR6-PF40(60)-E | | | |
|-------------------------|--|-----------------------|--------------------------|---------------|--------------|
| Camera | | | | | |
| Sensor | 1/2.7", 2.0 megapixel, progressive scan, CMOS | | | | |
| Lens | 4.0mm@F2.0 | | 4.0mm@F2.0 6.0mm@F2.0 | | |
| DORI Distance | Lens (mm) | Detect (m) | Observe (m) | Recognize (m) | Identify (m) |
| | 4.0 | 60 | 24 | 12 | 6 |
| | 6.0 | 90 | 36 | 18 | 9 |
| Angle of View (H) | 4mm: 86.5° 6mm: 55.4° | | | | |
| Angle of View (V) | 4mm: 44.1° 6mm: 30.2° | | | | |
| Angle of View (O) | 4mm: 106.4° 6mm: 68.1° | | | | |
| Shutter | Auto/Manual, 1 ~ 1/100000s | | | | |
| Minimum Illumination | Colour: 0.01Lux (F2.0, AGC ON) 0Lux with IR on | | | | |
| Digital noise reduction | 2D/3D DNR | | | | |
| Day/Night | IR-cut filter with auto switch (ICR) | | | | |
| S/N | >52dB | | | | |
| IR Range | Up to 60m (197ft) IR range | | | | |
| Wavelength | 850nm | | | | |
| IR On/Off Control | Auto/Manual | | | | |
| Defog | Digital Defog | | | | |
| WDR | DWDR | | | | |
| Video | | | | | |
| Video Compression | Ultra 265, H.265, H.264 | | | | |
| H.264 code profile | Baseline profile, Main Profile | | | | |
| Frame Rate | Main Stream: 1080P (1920*1080), Max 25fps; Sub Stream: 4CIF (704*576), Max 25fps; Third Stream: CIF (352*288), Max 25fps | | | | |
| Video Bit Rate | 128 Kbps~6 Mbps | | | | |
| OSD | Up to 4 OSDs | | | | |
| Privacy Mask | Up to 4 areas | | | | |
| ROI | Up to 2 areas | | | | |
| Motion Detection | Up to 4 areas | | | | |
| Image | | | | | |
| White Balance | Auto/Outdoor/Fine Tune/Sodium Lamp/Locked/Auto2 | | | | |
| Digital noise reduction | 2D/3D DNR | | | | |

| | |
|------------------------|---|
| Smart IR | Support |
| Flip | Normal/Vertical/Horizontal/180° |
| Dewarping | NA |
| HLC | Supported |
| BLC | Supported |
| Network | |
| Protocols | IPv4, TCP, UDP, RTP, RTSP, DNS, HTTP, DHCP, DDNS, NTP, UPnP |
| Compatible Integration | ONVIF (Profile T), API |
| Client | EZStation EZView EZLive |
| Web Browser | Plug-in required live view: IE9+, Chrome 41 and below, Firefox 52 and below |
| Interface | |
| Network | 10/100M Base-TX Ethernet |
| Certifications | |
| Certifications | CE: EN 60950-1 UL: UL60950-1 FCC: FCC Part 15 |
| General | |
| Power | DC 12V±25% |
| | DC 12V±25%, PoE (IEEE 802.3af) Power consumption: Max 5W |
| Dimensions (L × W × H) | 169.4 × 98.1 × 92.0mm (6.7" × 3.9" × 3.6") |
| Net Weight | 0.38kg (0.84lb) |
| Material | Sun shield: plastic Front cover: metal Body: plastic |
| Working Environment | -30°C ~ 60°C (-22°F ~ 140°F), Humidity: ≤95% RH (non-condensing) |
| Storage Environment | -30°C ~ 60°C (-22°F ~ 140°F), Humidity: ≤95% RH (non-condensing) |
| Surge Protection | 2KV |
| Ingress Protection | IP67 |

Dimensions



Accessories

TR-WM06-F



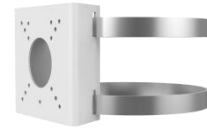
TR-WM06-C-IN



TR-UM06-A-IN

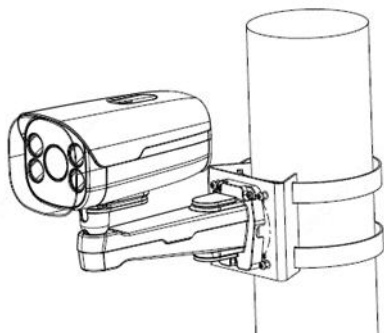


TR-UP06-B-IN



Pole Mount

TR-WM06-C-IN+TR-UP06-B-IN



Zhejiang Uniview Technologies Co., Ltd.

Building No.10, Wanlun Science Park, Jiangling Road 88, Binjiang District, Hangzhou, Zhejiang, China (310051)

Email: overseasbusiness@uniview.com; globalsupport@uniview.com

<http://www.uniview.com>

©2020 Zhejiang Uniview Technologies Co., Ltd. All rights reserved.

*Product specifications and availability are subject to change without notice.